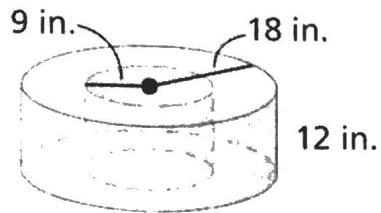
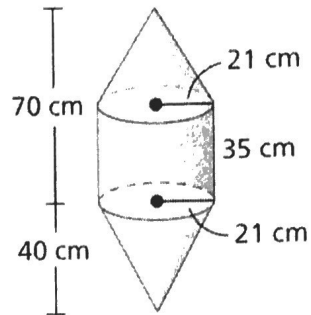


- 3) Find the volume of the composite figure to the nearest tenth:

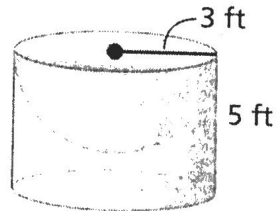


- 5) What is the volume of the figure below?



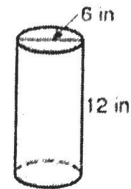
- 7) A cone has radius 2 in. and height 7 in. If the radius and height are multiplied by  $\frac{1}{4}$ , describe the effect on the volume.

- 9) What is the volume of the figure below?



10) A snowman is made from three spheres. One sphere has a radius of 8 inches, one has a radius of 1.2 foot, and one has a radius of 18 inches. What is the volume of the snowman in inches?

12) A cylindrical juice container has the dimensions shown. About how many cups of juice does this container hold? (Hint:  $1 \text{ cup} \approx 14.44 \text{ in}^3$ )



16) The Step Pyramid of Djoser in Lower Egypt was the first pyramid in the history of architecture. Its original height was 204 feet, and it had a rectangular base measuring 411 feet by 358 feet. Which is the best estimate for the volume of the pyramid in cubic yards?